



PATHSTAND™ 40



Complete Gross
Specimen Imaging
System



SPOT™ Imaging Solutions
A division of Diagnostic Instruments, Inc.

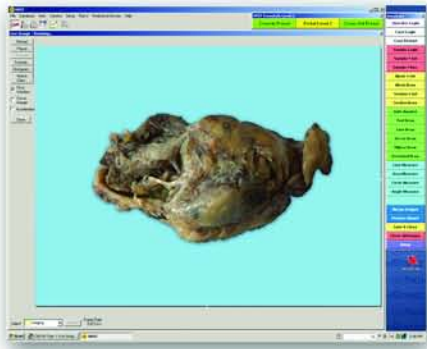
Your Pathology Imaging Specialist

Designed for Pathology

The PathStand™ 40 has been designed specifically to meet needs of the Pathology Lab for publication quality documentation of gross dissections. The PathStand's features were purposely selected, optimized and integrated to provide smooth, task oriented workflow making the documentation of your cases easy and routine, while presenting your cases in an organized and professional manner.

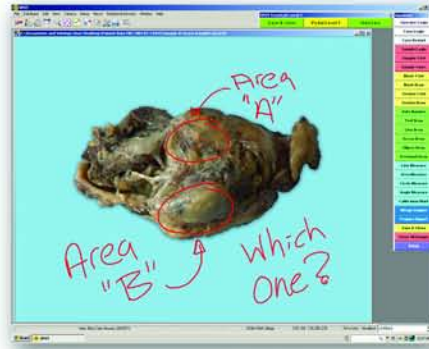
Smooth workflow to ensure your efficacy and efficiency...

Preview



Hands-free zooming, focusing and capture of images using voice command, Foot Switch, or if preferred, touch screen.

Consult



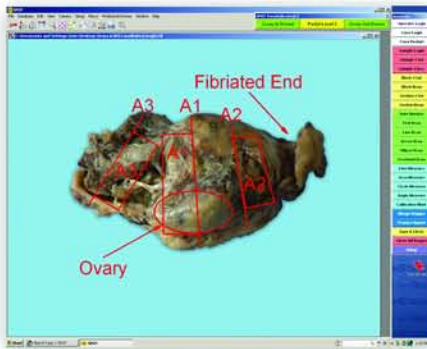
High speed internet connections let you discuss cases across the hospital or across the world. With PathSuite, your colleagues are only a click away.

Measure



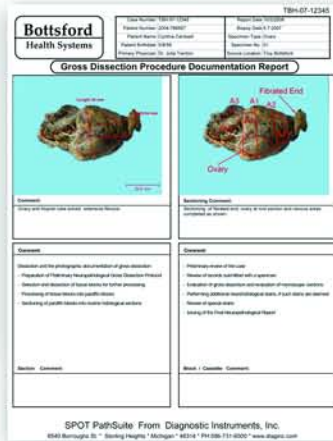
PathSuite's pre-calibrated images allow for instant, on-screen measurement of specimen features.

Annotate



Annotate with section lines, block location, features of interest, cell or lesion counting, or simply write free-hand on your images.

Report

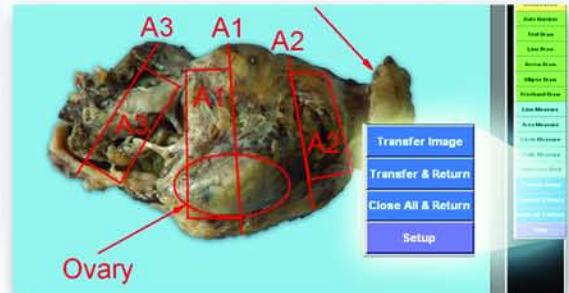


Providing a professional report to your referral doctors communicates your lab's dedication to detail.

Save



LIS Transfer



Whether your image data archive is a file server or a Laboratory Information System, PathSuite provides you connectivity and automations to save time and ensure properly filed images.

...In a few easy steps you can present a professional image of yourself and your lab.

PathStand™ 40 makes it easy...



PathStand 40 Features Make a Difference

1) High Resolution Digital Camera

- Standard 5Mp, resolution exceeds the needs of publication submission specifications
- Not a consumer adaptation but a fully computer integrated and controlled camera that provides previews, adjustments and instant captures optimizing your workflow
- SPOT CCT- Correct Color Technology ensures the color fidelity of your images based on the ICC international Standard

2) 16x Computer Controlled Lens

- Easily set the field of view for your specimen from 71.1cm x 53.3 cm (28" x 21") to 4.8 cm x 3.5 cm (1.875" x 1.375")
- Focus is controlled by the operator and maintained throughout the zoom range
- Pre-calibrated Zoom Presets provide a seamless transition to measurement operations

3) Spot Light

- Built in high intensity spot light provides convenient illumination of sample cavities
- Balanced 5000 K color temperature for excellent color rendition

4) XactLight™ High Intensity Flood Lighting

- Built in flood lights provide general sample lighting
- High 10,800 lumen intensity ensures proper sample illumination

- Balanced 5000K color temperature for excellent color rendition
- Efficient fluorescent design provides cool operation and energy savings
- High frequency ballasts eliminate image strobing
- Right and left lights individually controlled to provide single side lighting for increased image enhancement of textures

5) Sealed Construction

- Control switches for light operation are sealed and washable
- Camera and lens are housed for protection from splash and theft
- All-In-One computer and display are sealed for easy cleaning

6) Contrast Background Boards (optional)

- Ensure your specimens stand out using the contrast color background boards
- Colors available: Medium Blue, Dark Blue, Black, and White
- Made from non-staining materials to ensure easy cleaning and long life

7) Ergonomic Arms

- Ergonomically Mounted Display and Keyboard provides a comfortable environment for nearly any operator
- Easily adjustable for right or left handed use, as well as for different height preferences

8) Keyboard and Mouse Options

- Virtual on-screen keyboard (standard)

- Standard unsealed keyboard and mouse (optional)
- Sealed and autoclavable keyboard and mouse (optional)
- Wireless options also available

9) FootSwitch Control (optional)

- Control of Preview, Zoom, Focus, Capture and Save/Transfer
- Provides hands free imaging

10) Barcode Reader (optional)

- Supports most 1D and 2D Barcode formats
- Provide case-image validation
- Speeds Patient Data entry while increasing data entry accuracy
- Reduces operator fatigue

11) Spyder Color Calibrator (optional)

- Ensures image color fidelity based on International Color Consortium ICC standards
- Provides periodic recalibration of monitor

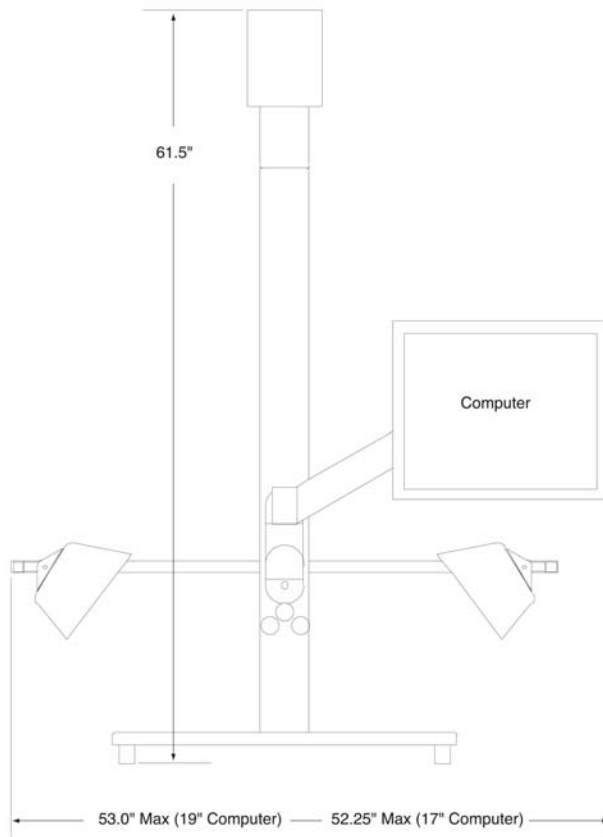
12) All-In-One Controller/Monitor

- Compact design frees up your work space
- Large 17" screen provides easy viewing (19" optional)
- Draw naturally right on the touch screen for measurements and annotations
- Sealed and washable industrial design

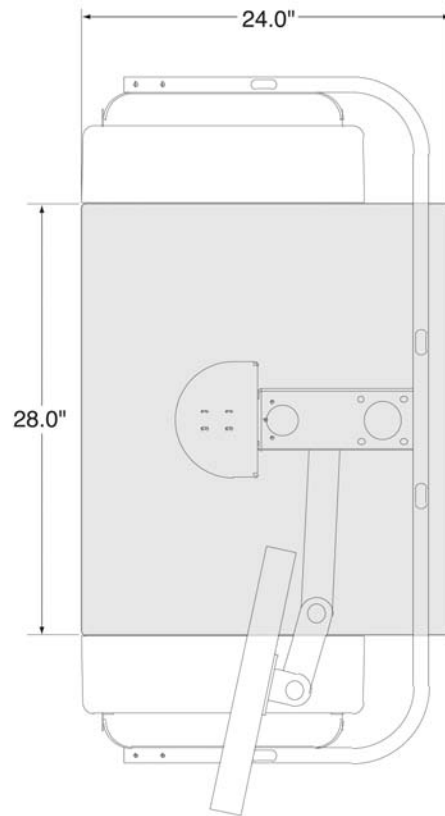
13) Extended LIMS Interface (optional)

- For Direct Transfer of images to your LIMS

SPOT™ PathStand™ 40 SPECIFICATIONS



PathStand Front View



PathStand Top View

Weight (standard configuration): ~133 lbs

Shipping Weight (standard configuration): ~172 lbs

Camera: SPOT Idea 5 Mp Bayer color mosaic w/ 14 bit ADC

Lens: Computer controlled 10-160mm F.L. Zoom, f 1.9-16

Computer: Sealed 17" All-In-One Computer-Monitor System w/ touch screen
Intel Centrino™ i855GM w/ 2 GB RAM & 80 GB HD,
10/100 Base T LAN
(19" display available as option)

Operating system: Microsoft Windows XP professional

Software: SPOT Advanced Plus Imaging Software with PathSuite Interface

Spot light: 20W Halogen with 5000K color balance filter

XactLight™ system:

- 2 fixtures, individually controlled, right and left
- Each fixture has 2 bulbs with high efficiency reflectors and high frequency ballasts
- 5000K Balanced color temperature with high CRI and 10,800 lumen total output

Foot Switch: 3 button computer linked

Barcode reader: 1D & 2D capable, programmable for particular site file format

Spyder Calibrator: ICC color profiling system for monitor calibration

Certifications: FCC Part 15 Class A device
CE: EN61010-1 Product Safety
CE: EN61326:2005 Emissions and Immunity testing



SPOT™ Imaging Solutions

A division of Diagnostic Instruments, Inc.

6540 Burroughs Avenue
Sterling Heights, Michigan 48314-2133 USA

Toll Free USA: 1-866-604-SPOT

Phone: +1 586-731-6000

Fax: +1 586-731-6469

Email: sales@spotimaging.com

Web address: www.spotimaging.com/pathsuite

